



@challenger

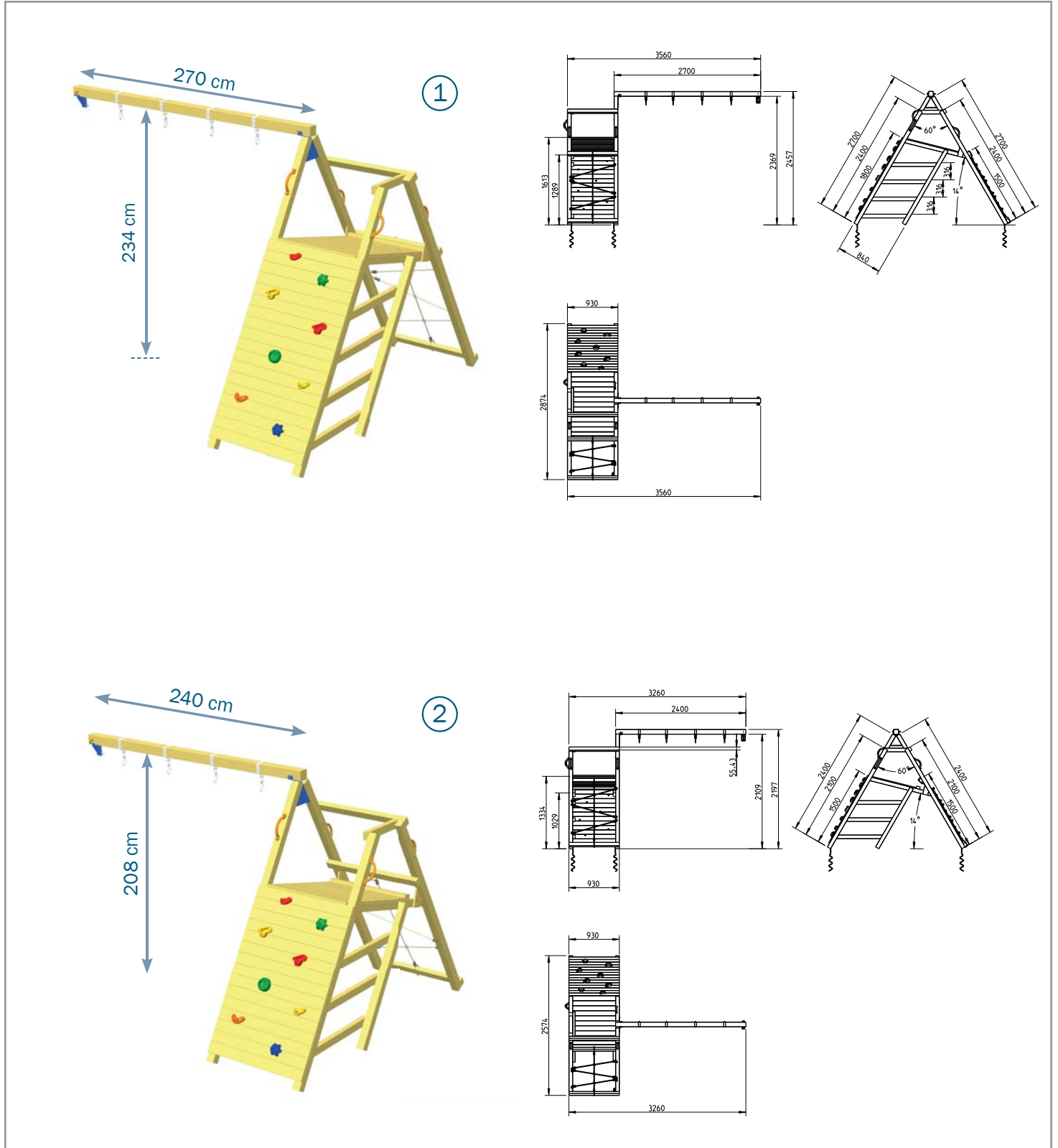
008.003.007.001



blue rabbit

© 2016

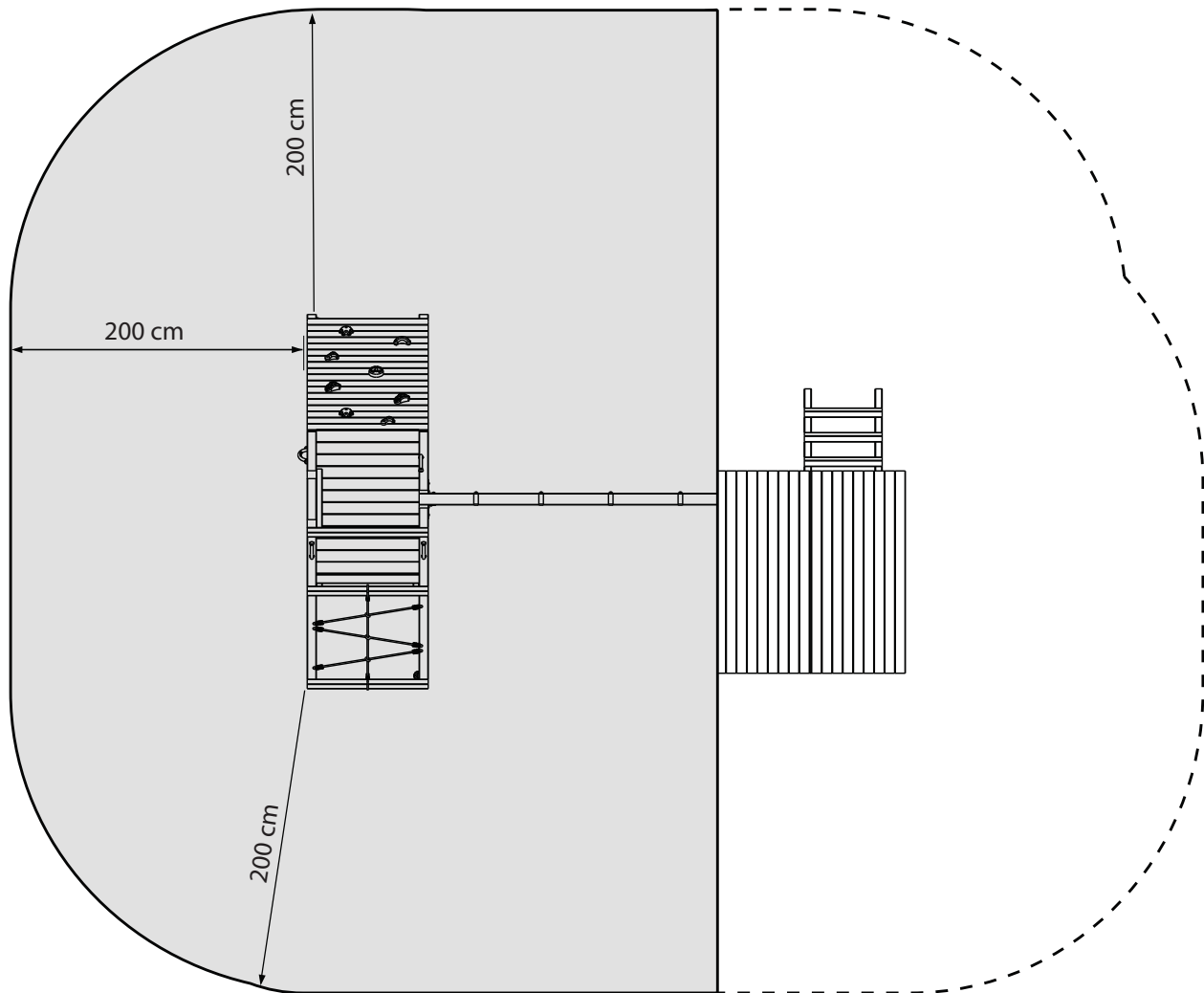
Blue Rabbit 2.0 - Hemelrijken 8 - B-2890 St-Amands - Belgium.
Copyrighted material - Do not reproduce under penalty of law.











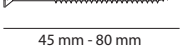



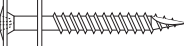





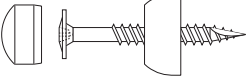




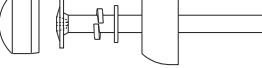
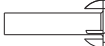
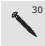
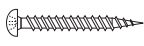

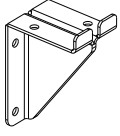



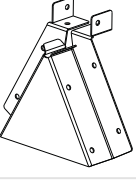
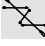


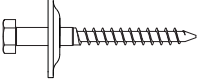
@challenger

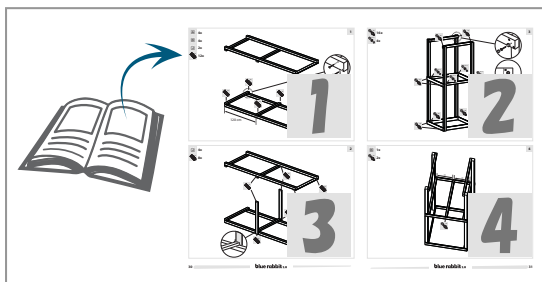
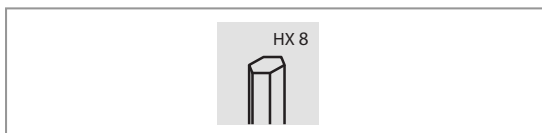
008.003.007.001


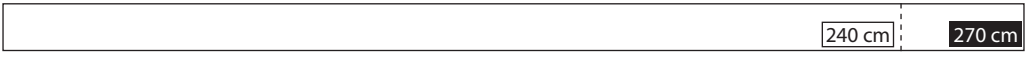
blue rabbit 2.0






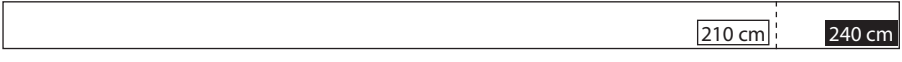
53 x 28 x 15,5 cm	11,6 kg	42	120 x 80 x 148 cm	512 kg



  <p>45 mm</p>	<p>4x</p>   
    <p>45 mm - 80 mm</p>	<p>4x</p>  
  <p>50 mm</p>	<p>2x</p>  
    <p>50 - 80 - 140 mm</p>	<p>8x</p>   
<p>4x</p>    <p>90 / 110 mm</p>	<p>8x</p>  
<p>1x</p>  	<p>8x</p>  
<p>1x</p>  	<p>1x</p>  
<p>2x</p>   <p>70 mm</p>	







- 1x** **A** min 88 mm |  max 90 mm 



min 88 mm
max 90 mm
- 2x** **B** min 68 mm |  max 90 mm 


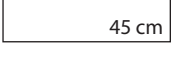
min 68 mm
max 90 mm
- 2x** **C** min 68 mm |  max 90 mm 


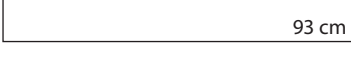
min 68 mm
max 90 mm
- 1x** **D** min 68 mm |  max 90 mm 


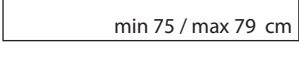
min 68 mm
max 90 mm
- 2x** **E** min 68 mm |  max 90 mm 


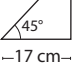
min 32 mm
max 50 mm
- 6x 7x** **F** min 68 mm |  max 90 mm 

min 32 mm
max 50 mm
- 1x** **G** min 68 mm |  max 90 mm 

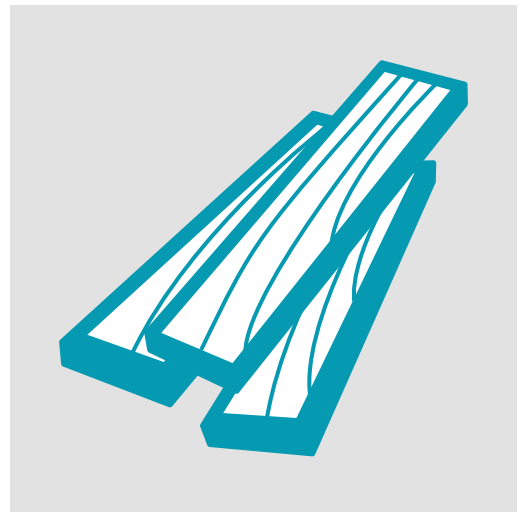
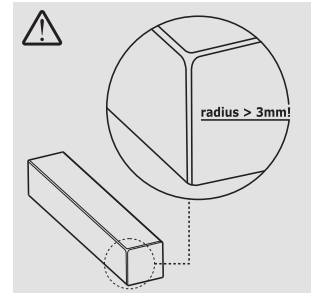
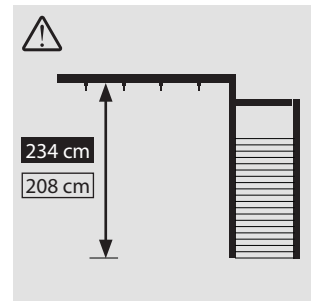
min 32 mm
max 50 mm
- 1x** **H** min 68 mm |  max 90 mm 

min 32 mm
max 50 mm
- 10x*/15x****
12x*/18x** **I** ** min 95 mm |  * max 145 mm 

min 15 mm
max 22 mm
- 7x*/10x****
8x*/12x** **J** ** min 95 mm |  * max 145 mm 

min 15 mm
max 22 mm
- 2x** **K** min 95 mm |  max 145 mm 

min 15 mm
max 22 mm





Blue Rabbit 2.0®
Hemelrijken 8
B-2890 Sint-Amands
BELGIUM

info@bluerabbit.be

www.bluerabbit.be