

# Jungle Gym®

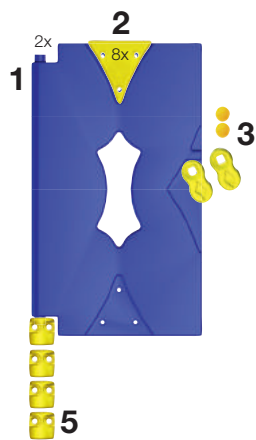


BACKYARD PLAYGROUNDS



850\_262  
850\_263

## Mini Picnic Module



14x

10x

450\_260



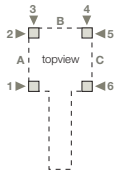
2h



woodenclimbingframes.co.uk

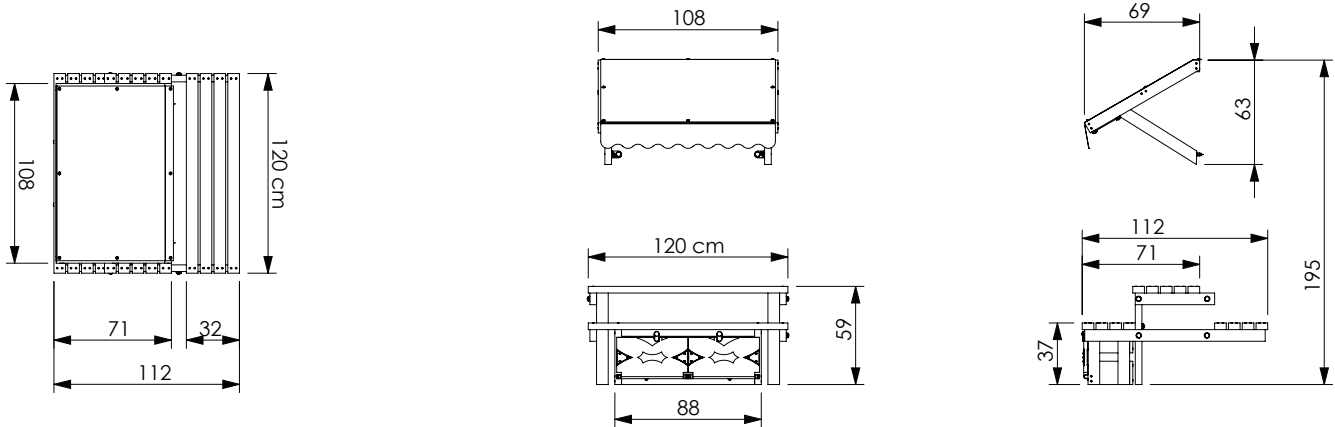
01342 477774

# Mini Picnic Module

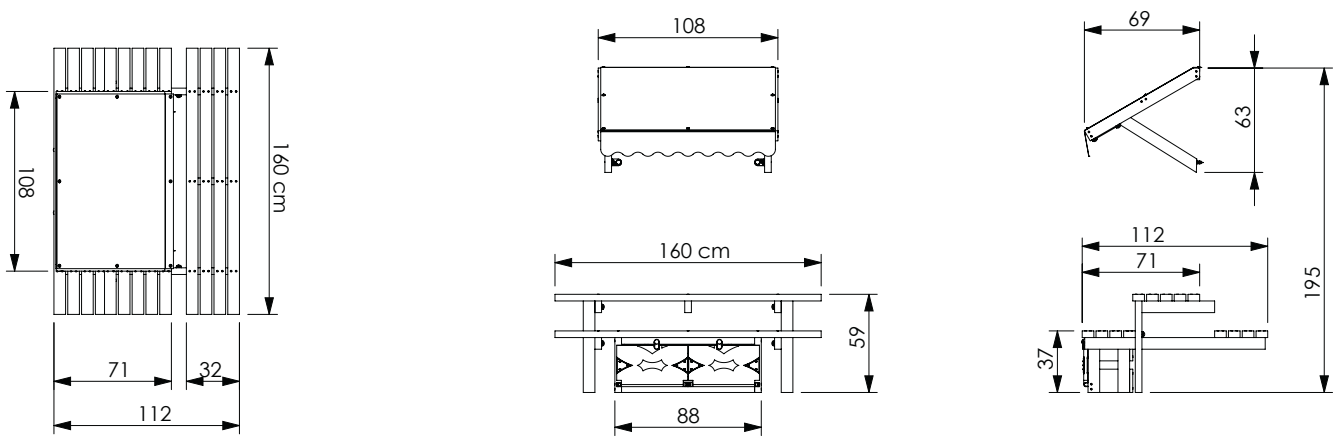


	Jungle Palace EP 250			Jungle Barn EP 250			Jungle Farm EP 250			Jungle Mansion EP 250			Jungle Fort EP 250			Jungle Chalet EP 250			Jungle Villa EP 250			Jungle Lodge EP 250			Jungle Cabin EP 250			Jungle Shelter EP 250			Jungle Cubby EP 250			Jungle Cottage EP 250			Jungle House EP 250			Jungle Hut EP 250			Jungle Home EP 250			Jungle Casa EP 250			Jungle Club EP 250			Jungle Castle EP 250					
	A	B	C	A	B	C	A	B	C	A	B	C	A	B	C	A	B	C	A	B	C	A	B	C	A	B	C	A	B	C	A	B	C	A	B	C	A	B	C	A	B	C	A	B	C	A	B	C	A	B	C	A	B	C	A	B	C
Picnic 120																																																									
Picnic 160																																																									

## Picnic 120 cm



## Picnic 160 cm



- Warnings**
- Only for domestic use
  - Only for outdoor use
  - Maximum user weight is 50 kg.
  - Maximum number of users is 8
  - Not suitable for children under three years
  - Suitable for children from three to ten years



Jungle Gym B.V.  
 P.O. Box 75083  
 1070 AB Amsterdam  
 The Netherlands  
 +31 85 444 41 00  
 info@junglegym.com

[www.junglegym.com](http://www.junglegym.com)

