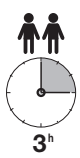




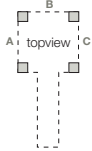
850_240 Bridge Module



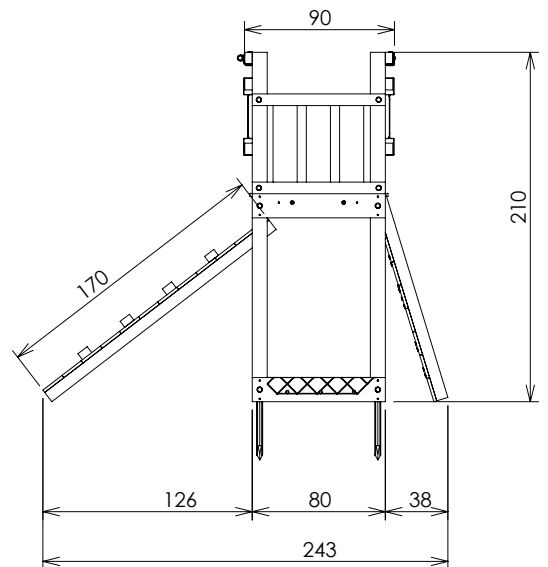
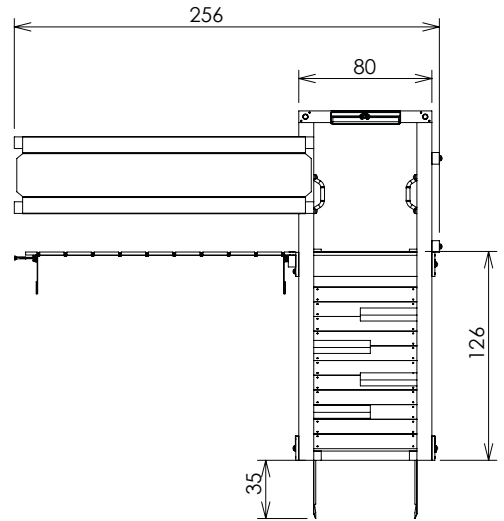
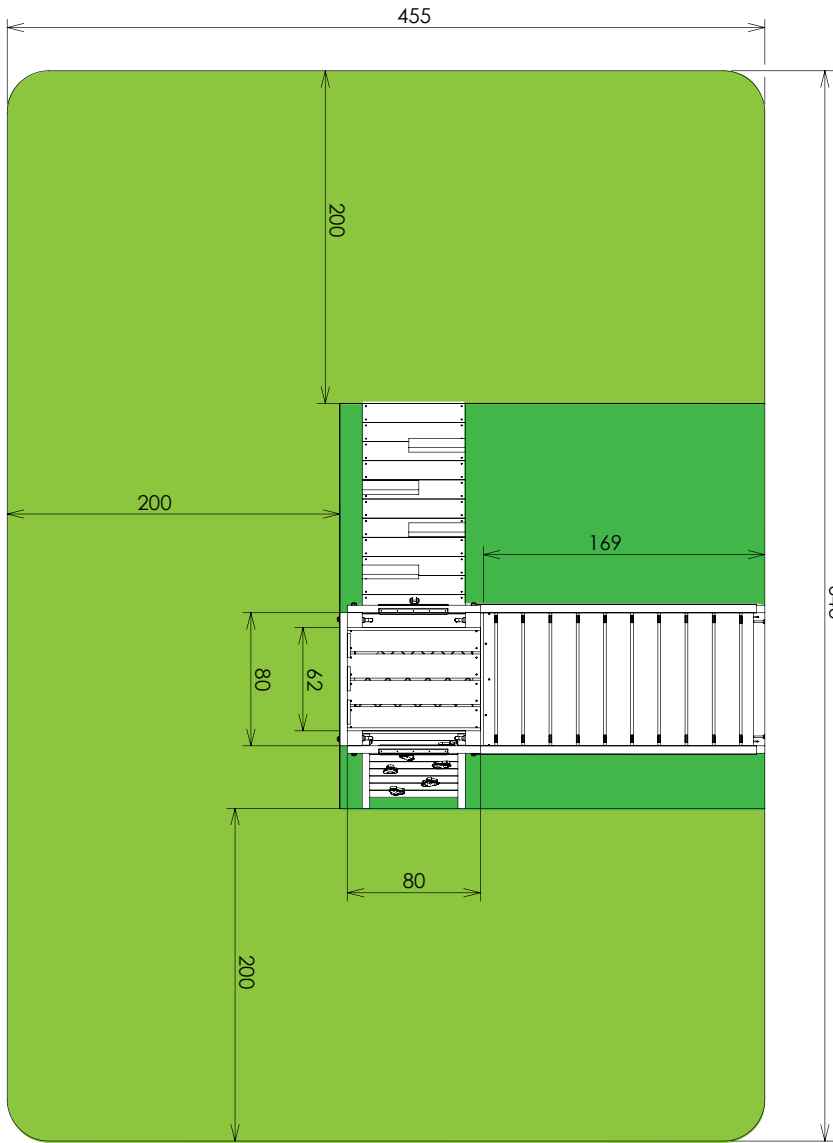
3h

450_240

Bridge Module



	Jungle Palace 210, 200	Jungle Barn 210, 200	Jungle Farm 210, 200	Jungle Mansion 210, 200	Jungle Fort 210, 200	Jungle Chalet 210, 200	Jungle Villa 210, 200	Jungle Lodge 210, 200	Jungle Cabin 210, 200	Jungle Shelter 210, 200	Jungle Cubby 210, 200	Jungle Cottage 210, 200	Jungle House 210, 200	Jungle Hut 210, 200	Jungle Home 210, 200	Jungle Casa 210, 200	Jungle Club 210, 200	Jungle Castle 210, 200	Jungle Tower 210, 200
A	✓	✓	✓	✓	✓	✓	✓	✓	✓	✓	✓	✓	✓	✓	✓	✓	✓	✓	✓
B		✓							✓								✓	✓	
C	✓				✓	✓		✓		✓	✓	✓	✓	✓	✓			✓	✓



Warnings

- Only for domestic use
- Only for outdoor use
- Maximum user weight is 50 kg.
- Maximum number of users is 5
- Not suitable for children under three years
- Suitable for children from three to ten years



EN 71-1, -2, -3, -8 & -9

Jungle Gym B.V.
P.O. Box 75083
1070 AB Amsterdam
The Netherlands
+31 85 444 41 00
info@junglegym.com

www.junglegym.com

Jungle Gym



BACKYARD PLAYGROUNDS