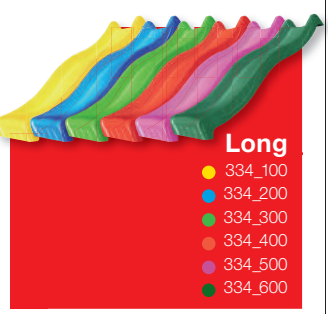


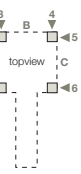


## 801\_007 Jungle Barn

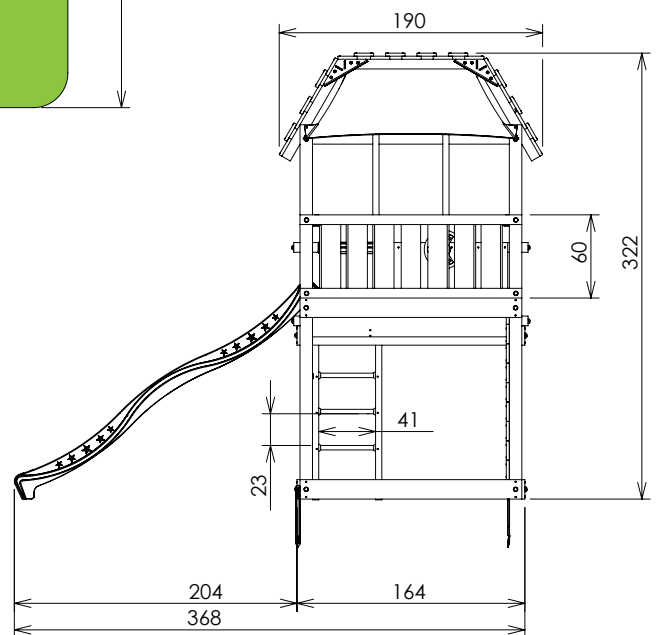
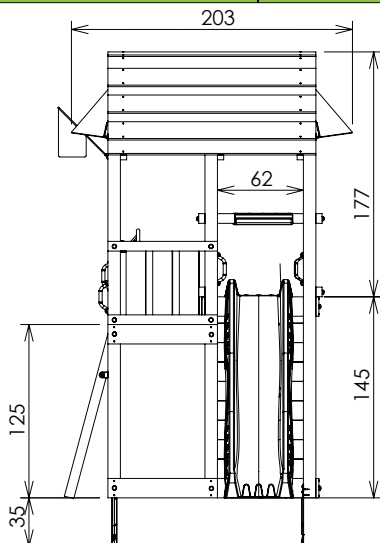
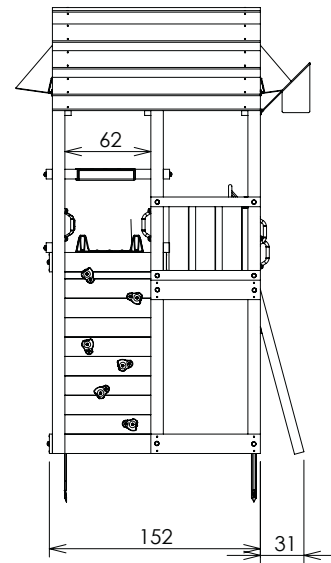
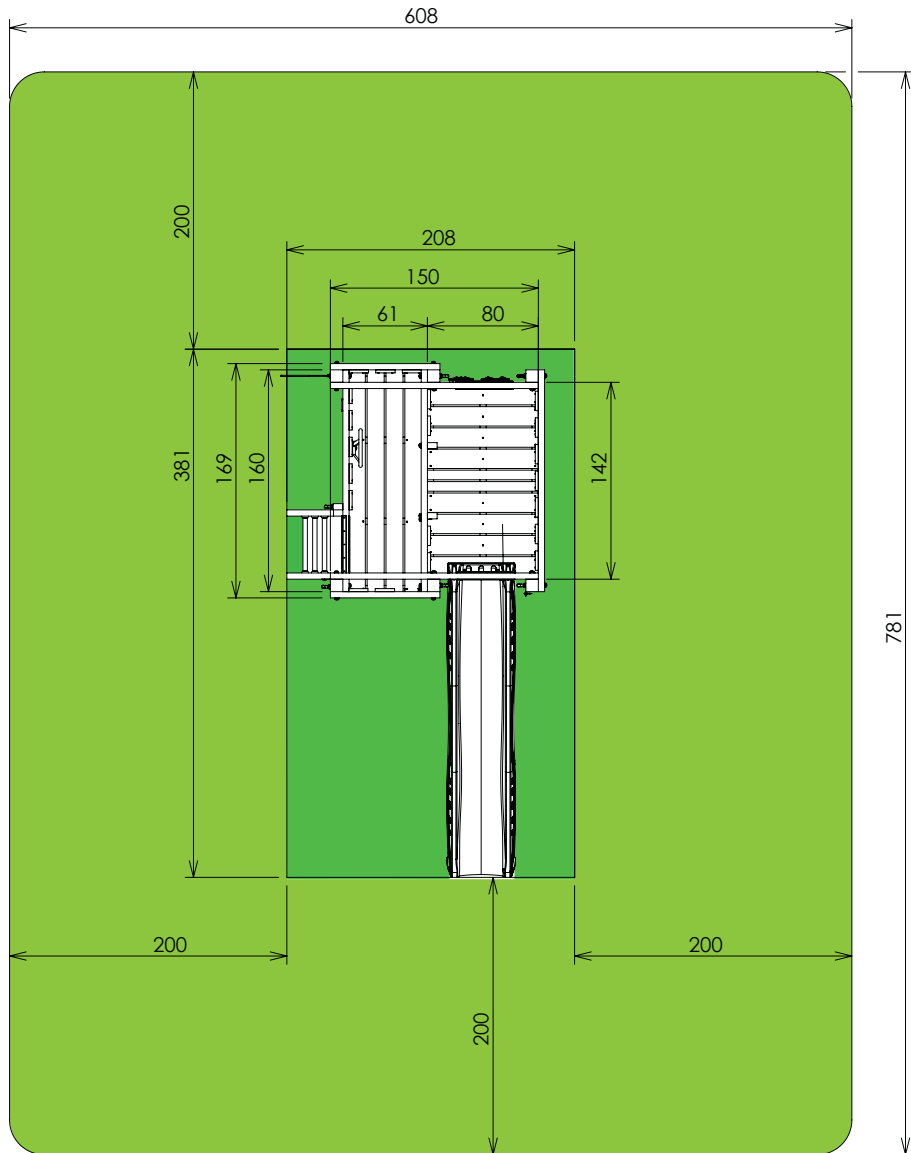
**XL**



# Jungle Barn



Swing Module (X'tra) 850_101 / 850_116 / 1178						Climb Module (X'tra) 850_200 / 205						Bridge Module 850_200			Playhouse Module 850_247			Balcony Module 850_205			Mini Market Module 850_203			Mini Picnic Module 850_302			Boat Module 850_410			Train Module 850_413			Bridge Link 870_100			Net Link 870_105		
1	2	3	4	5	6	1	2	3	4	5	6	A	B	C				A	B	C	A	B	C	A	B	C	A	B	C	A	B	C	A	B	C	A	B	C
				✓																																		



## Warnings

- Only for domestic use
- Only for outdoor use
- Maximum user weight is 50 kg.
- Maximum number of users is 12
- Not suitable for children under three years
- Suitable for children from three to ten years



EN 71-1, -2, -3, 8 & 9

Jungle Gym B.V.  
P.O. Box 75083  
1070 AB Amsterdam  
The Netherlands  
+31 85 444 41 00  
info@junglegym.com

[www.junglegym.com](http://www.junglegym.com)

**Jungle Gym®**



BACKYARD PLAYGROUNDS