

# Jungle Gym®

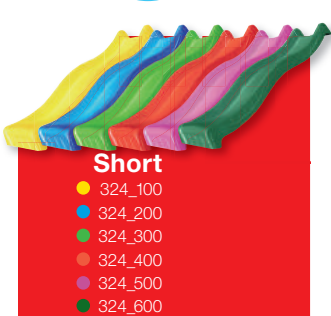


BACKYARD PLAYGROUNDS



## 801\_120 Jungle Castle

S



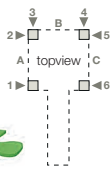
401\_120



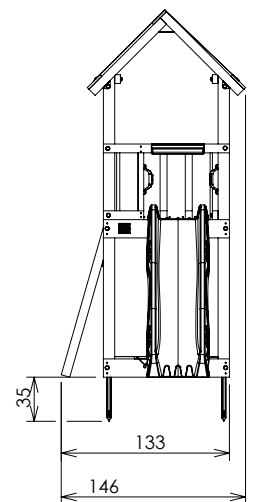
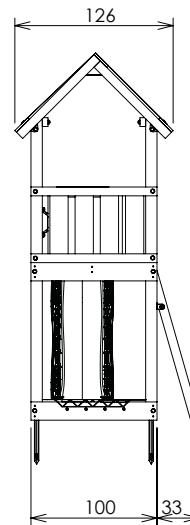
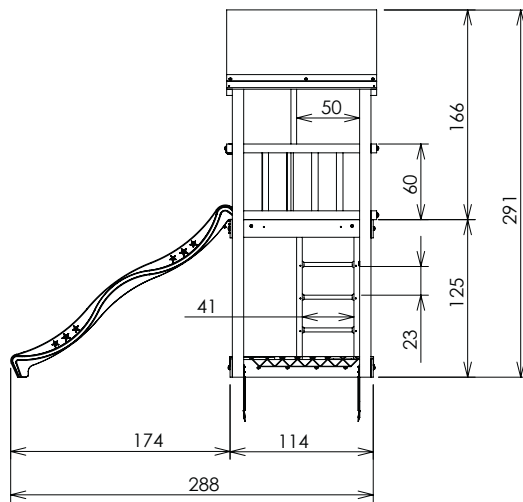
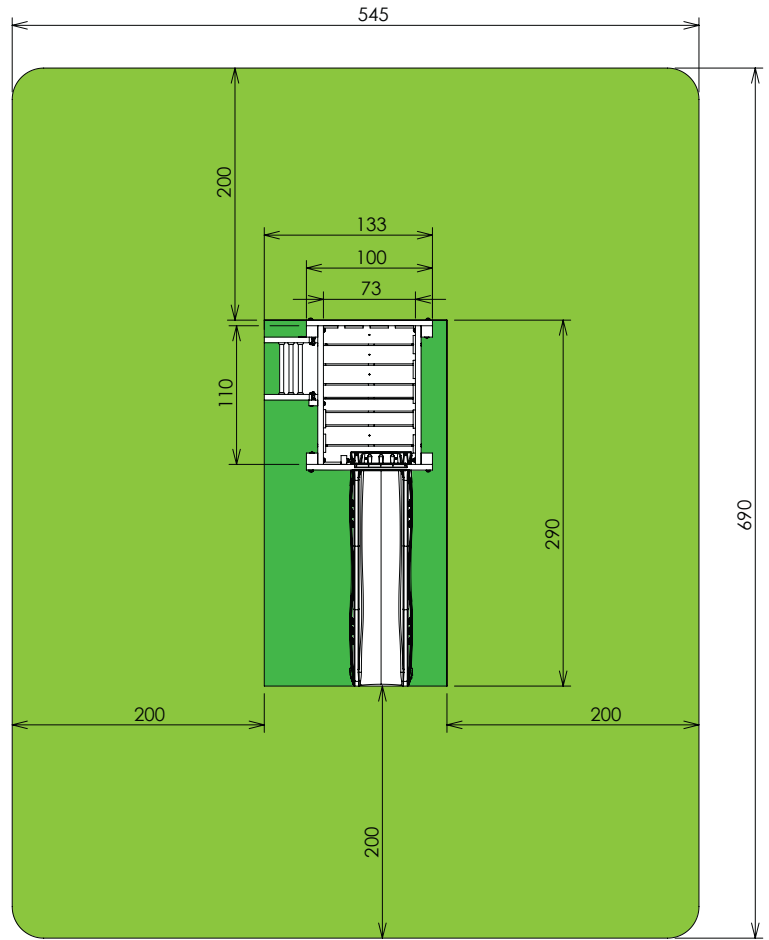
woodenclimbingframes.co.uk

01342 477774

# Jungle Castle



Swing Module (X'tra)	Climb Module (X'tra)	Bridge Module	Playhouse Module	Balcony Module	Mini Market Module	Mini Picnic Module	Boat Module	Train Module	Bridge Link	Net Link
800_101, 100 (1175_1176)	800_200 (1_230)	850_240	800_248	850_200	850_261	850_262	850_410	850_415	870_100	870_105
1 2 3 4 5 6	1 2 3 4 5 6	A B C		A B C	A B C	A B C	A B C	A B C	A B C	A B C
✓ ✓ ✓ ✓ ✓ ✓	✓ ✓ ✓ ✓ ✓ ✓	✓	✓	✓	✓	✓	✓	✓	✓	✓



## Warnings

- Only for domestic use
- Only for outdoor use
- Maximum user weight is 50 kg.
- Maximum number of users is 5
- Not suitable for children under three years
- Suitable for children from three to ten years



EN 71-1, -2, -3, 8 & 9

Jungle Gym B.V.  
 P.O. Box 75083  
 1070 AB Amsterdam  
 The Netherlands  
 +31 85 444 41 00  
 info@junglegym.com

[www.junglegym.com](http://www.junglegym.com)



BACKYARD PLAYGROUNDS