

Jungle Gym®

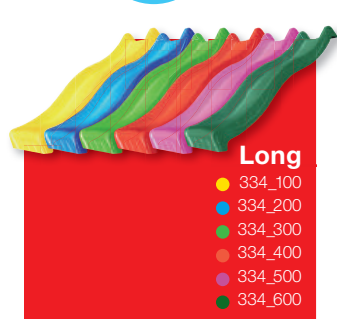


BACKYARD PLAYGROUNDS



801_013 Jungle Chalet

L



401_013



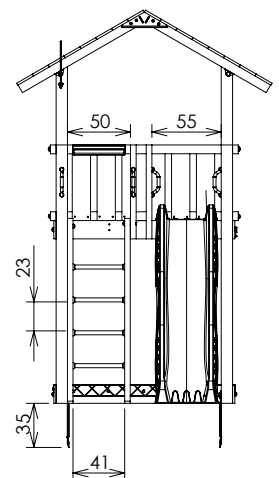
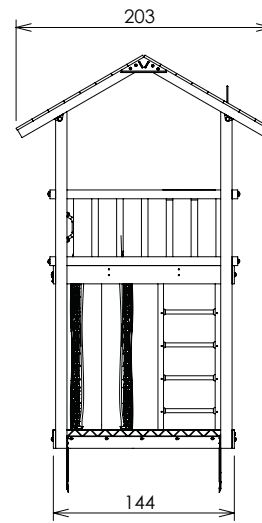
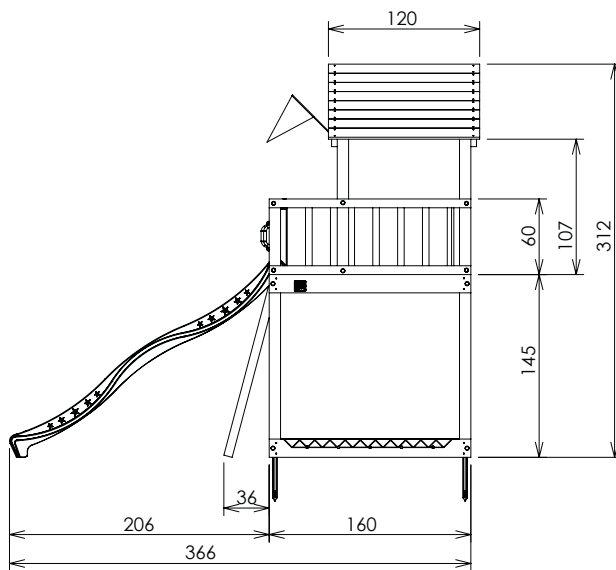
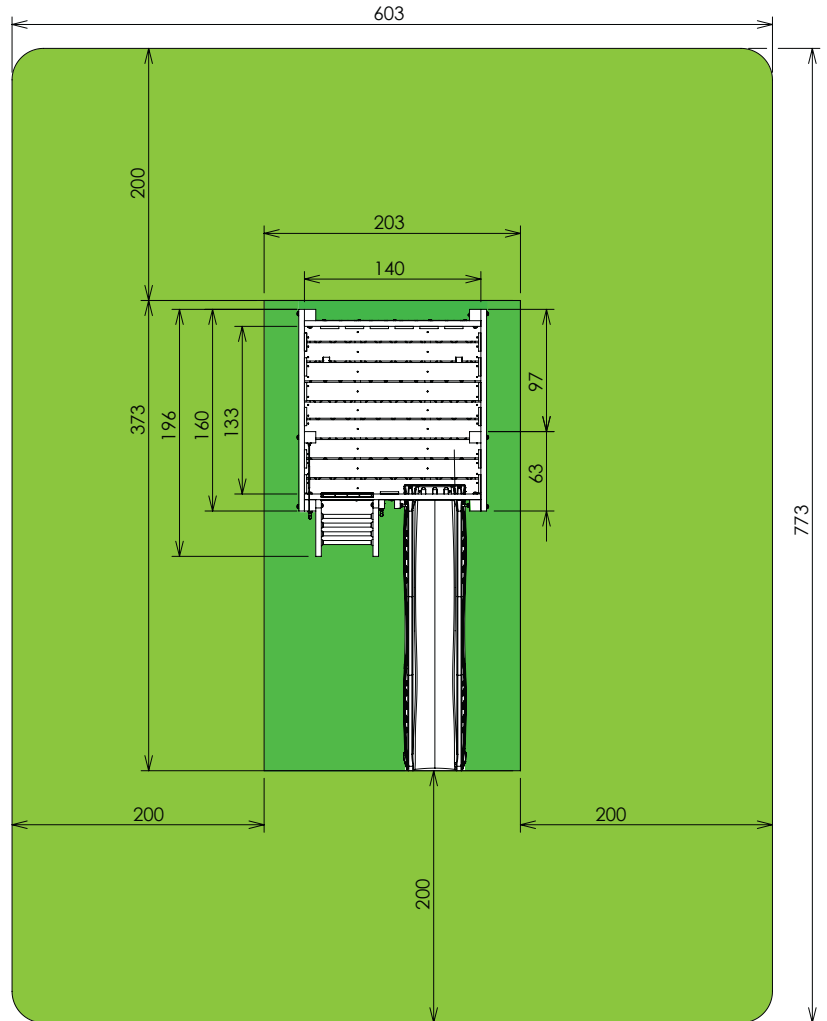
woodenclimbingframes.co.uk

01342 477774

Jungle Chalet



Swing Module (X'tra) 850-100 / 100 / 115 / 177	Climb Module (X'tra) 850-200 / 200	Bridge Module 850-210	Playhouse Module 850-217	Balcony Module 850-225	Mini Market Module 850-261	Mini Picnic Module 850-262	Boat Module 850-270	Train Module 850-310	Bridge Link 870-100	Net Link 870-105
1 2 3 4 5 6	1 2 3 4 5 6	A B C		A B C	A B C	A B C	A B C	A B C	A B C	A B C
✓ ✓ ✓ ✓ ✓ ✓	✓ ✓ ✓ ✓ ✓ ✓	✓ ✓ ✓	✓	✓ ✓ ✓	✓ ✓ ✓	✓ ✓ ✓	✓ ✓ ✓	✓ ✓ ✓	✓ ✓ ✓	✓ ✓ ✓



Warnings

- Only for domestic use
- Only for outdoor use
- Maximum user weight is 50 kg.
- Maximum number of users is 10
- Not suitable for children under three years
- Suitable for children from three to ten years



EN71-1, -2, -3, 8 & 9

Jungle Gym B.V.
P.O. Box 75083
1070 AB Amsterdam
The Netherlands
+31 85 444 41 00
info@junglegym.com

www.junglegym.com

Jungle Gym®



BACKYARD PLAYGROUNDS