

Jungle Gym®



BACKYARD PLAYGROUNDS



801_090 Jungle Cottage

M

Long

- 334_100
- 334_200
- 334_300
- 334_400
- 334_500
- 334_600



6h



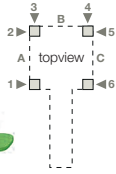
401_090



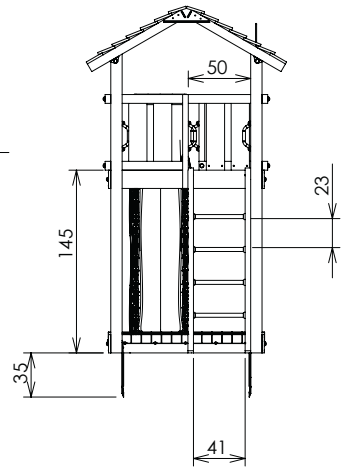
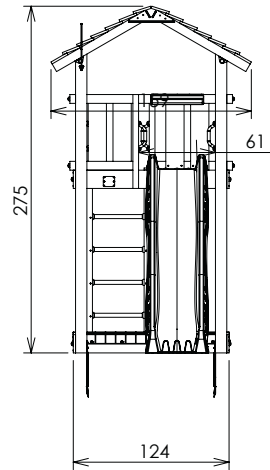
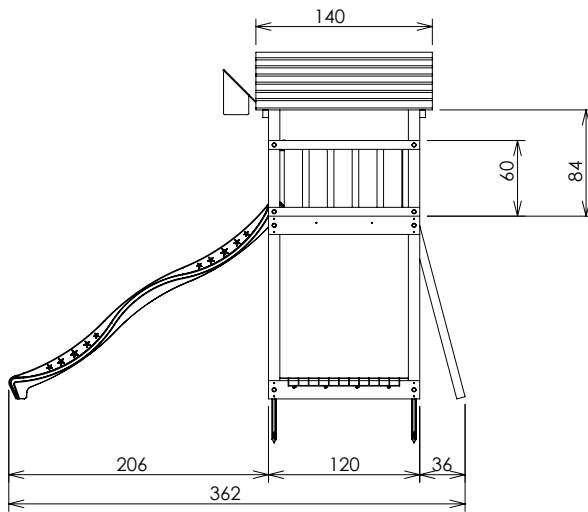
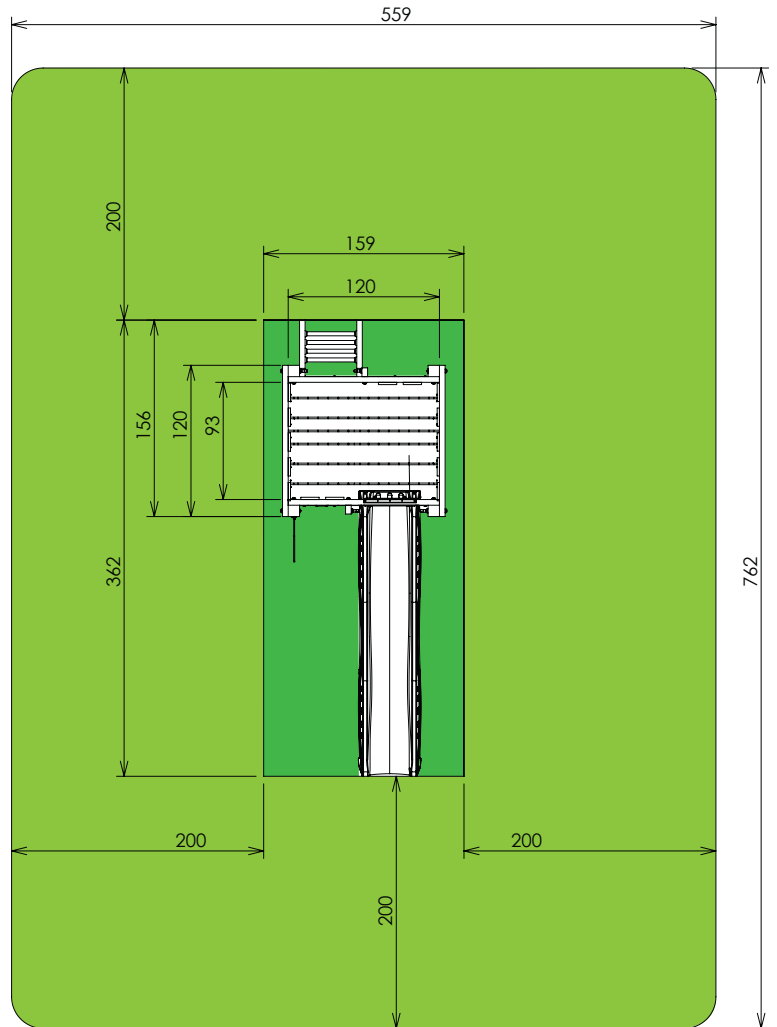
woodenclimbingframes.co.uk

01342 477774

Jungle Cottage



Swing Module (D'tral) 850_101, 102 L, 176, 177						Climb Module (D'tral) 850_200 L, 203						Bridge Module 850_240			Playhouse Module 850_247	Balcony Module 850_255			Mini Market Module 850_261			Mini Picnic Module 850_262			Boat Module 850_410			Train Module 850_415			Bridge Link 870_109			Net Link 870_105					
1	2	3	4	5	6	1	2	3	4	5	6	A	B	C		A	B	C	A	B	C	A	B	C	A	B	C	A	B	C	A	B	C	A	B	C	A	B	C
✓	✓	✓	✓	✓	✓	✓	✓	✓	✓	✓	✓	✓	✓	✓	✓	✓	✓	✓	✓	✓	✓	✓	✓	✓	✓	✓	✓	✓	✓	✓	✓	✓	✓	✓	✓	✓	✓	✓	✓



Warnings

- Only for domestic use
- Only for outdoor use
- Maximum user weight is 50 kg.
- Maximum number of users is 6
- Not suitable for children under three years
- Suitable for children from three to ten years



EN 71-1, -2, -3, -8 & -9

Jungle Gym B.V.
P.O. Box 75083
1070 AB Amsterdam
The Netherlands
+31 85 444 41 00
info@junglegym.com

www.junglegym.com

Jungle Gym®



BACKYARD PLAYGROUNDS